

ASSEMBLY INSTRUCTIONS

2024



Snêk

Timeless Values

BEFORE STARTING ASSAMBLY

We recommend that before you begin the assembly of your new Snêk kitchen, you read through this guide and watch our step-by-step assembly instruction videos.

TIP & INFORMATION

We recommend having your 3D design available in the design tool during installation. This will make it easier to visualize how everything should be assembled and ensure that each component is placed correctly, while also allowing you to follow the exact measurements and placements according to the planned design.

The tools you may need to assemble your kitchen may vary depending on the cabinets you have chosen. The tools that may be needed are; screwdriver, drill, clamp, tape measurer, pencils, level, angle hook and possibly a saw.

We strongly advise being two people when assembling the cabinets as there are risks of hurting yourself. Note that there is a possibility that the cabinets may break if they are not held straight while the parts are being put together.

PAY ATTENTION! Since there are several varieties of wall materials (such as; brick, wood and concrete), our kitchens are delivered without screws for the wall mounting bracket which you will have to provide for yourselves from hardware stores where you may attain help choosing the right screws for your walls.

Our kitchens are delivered without pre-prepared installations for electricity and water, precisely so that the installation can be customized exactly to your specific needs. This gives you the flexibility to place outlets and piping where they fit best in your kitchen.

All parts of your new unassembled kitchen must be stored indoors at a regular room temperature as well as humidity at all times. You may additionally read our terms and conditions and our documentation on tolerances, which you can find on our website.

If you have ordered your kitchen with mounted doors and drawers, these may need to be adjusted on-site after delivery, meant to ensure that any shifts during transportation are covered. Drawers and hinges may also need to be adjusted after some time of use to maintain optimal functionality and appearance.

Content

UNPACKING	4
CABINETS	4
COUNTER DESK	5
WALL CABINET	6
CORNER CABINET	6
UPPER CABINETS	6
PLINTHS – Inside mounted (with sides)	7
PLINTHS – Inside parallel mounted	7
PLINTHS – Front mounted	7
DOORS & DRAWERS	7
DRAWER RUNNERS	8
ADJUSTMENT OF DRAWERS	8
HINGES	9
DOOR STOPPERS (ROLLER CATCHES)	10
SHELF SUPPORT	11
ASSAMBLY OF BUTCHER BLOCK	11
WHITE GOODS	12
DISHWASHER FRONT	12
DISHWASHER FRONT – For smaller doors	13
COVER PANELS	13
COVER PANELS – with 20 mm frameworks	13
COVER PANELS – with excess measurement	13
FRAMEWORK AGAINST WALL	14
SHELL INSTALLATION	14
INSTALLATION OF GLASS ON CABINETS DOOR	14
CROWN MOULDING	15
INSTALLATION OF COUNTERTOP	15
INSTALLATION BLIND FRONT PANEL	15
INSTALLATION OF CORNER PANTRY	16
PAINTING A SNÊK KITCHEN	17

UNPACKING

To reduce shipping costs and packaging, we send the parts for our kitchens unsorted. This is part of our commitment to the environment and sustainability. By shipping the parts in this manner, we can reduce our environmental impact by using less packaging material and optimizing transportation.

Before you begin assembly, we recommend sorting the cabinet parts. This will facilitate the assembly process and ensure that you have all the necessary components.

We reuse excess material from production as packing filler. These pieces are marked with an X.

CABINETS

Follow these steps to assemble and connect cabinets together:

- Before assembly, thoroughly rub all sliding dovetail joints with candle wax to ensure smooth operation
- Attach hinge plates with wood screws 3.5x17 (2 screws per hinge plate).
- Secure drawer runners with system screws 6.3x11 mm (3 screws per runner). Refer to the "DRAWER RUNNERS" segment for detailed instructions before assembly.
- Attach the side pieces to the bottom plate to form the cabinet structure.
- Fasten the plinth legs, Use screws 4.0x40 mm to secure plinth legs (4 screws per plinth leg). Position plinth legs accordingly for external or internal plinths as specified (external: maximize stability; internal: 90 mm from front edge).
- Fit the back piece, Ensure the back piece is inserted fully into the slot at the bottom of the cabinet for proper alignment and stability.
- Install crossbars at the back and front edges using wood screws 4.0x35 mm (4 screws per crossbar). Note specific instructions for different cabinet types (tall, wall, or bench cabinets).
- Secure framework-click, use screws 3.5x15 mm with lumpy heads to secure framework-clicks at 30 cm intervals. Utilize the provided framework-click template for accurate positioning.
- Mount the wall rail, use wood screws of suitable length depending on wall material to mount the wall rail securely (screws not included).
- Install the mounting rail on the back of the cabinet using wood screws 4.5x25 mm (2-3 screws per rail depending on length).

Cabinets next to each other are connected with connection bolts. There are four pre-drilled holes inside of the cabinet. The holes are not fully drilled through, this needs to be done once the cabinets are standing next to each other.

- Position the cabinets next to each other and stabilize with clamps.

- Drill through the pre-drilled holes inside the cabinet, the holes should align (use 5mm drill).
- Securely fasten cabinets together with 4 connection bolts.

COUNTER DESK

The counter desk is assembled from the bottom up. Use a L-square to ensure that the partitions in the frame are at 90 degrees.

- It is advantageous to mount the drawer slides before assembling the frame. Attach the drawer slides using system screws 6.3x11 (3 screws/slide, one at the front, one at the back, and one in the middle). Read the section "DRAWER SLIDES" before starting the assembly. **Note!** For drawer slides mounted on the partitions, avoid using the same screw hole on both sides. Instead, choose an adjacent screw hole to avoid the screws meeting in the middle.
- Attach the side pieces to the bottom plate with wood screws 4.0x35 mm. Screw from the outside of the cabinet.
- Mount the plinth legs with, using screws 4.0x40 mm (4 screws/ leg). For an external plinth, place the legs as far forward and back as possible for optimal stability. For an inside plinth whit sides, position the legs 90 mm from the front edge (measured without the framework).
- Slide in the partition for the bottom section into the pre-routed groove in the bottom plate. Secure the partition from underneath the bottom plate with two screws 4.0x35 mm.
- Mount the back panel, ensuring it is pressed all the way down into the groove in the bottom plate.
- Slide in the partitions for the middle section into the pre-routed grooves on the horizontal shelf. Secure the partitions from underneath with two screws 4.0x35 mm.
- Repeat the same process for the top section.
- Slide the bottom shelf into the pre-routed grooves in the cabinet. Secure the shelf from the outside of the cabinet, using screws 4.0x35 mm (4 screws/shelf).
- Secure the partition for the bottom section from above the upper shelf with 2 wood screws 4.0x35 mm. Use a L-square to ensure the partition is at 90-degree angle, as the upper part lacks pre-routed grooves.
- Repeat the same procedure for the third and final section.
- Mount the crossbars on both the back and front edges of the cabinet. Use wood screws 4.0x35 (4 screws/crossbar).
- Secure the upper partitions to the crossbars with wood screws 4.0x35 mm. Use a L-square to ensure the partition is at 90-degree angle, as the crossbars lack pre-routed grooves
- Attach the framework-clicks with screws 3.5x15 mm with round heads (one screw per framework-click) at 30 cm intervals. Use the accompanying framework-click template for easy centering.
- Mount the assembly rail on the back of the cabinet with wood screws 4.5x25 (2-3 screws per rail depending on the length of the rail).

- Install the drawers in the frame.

WALL CABINET

Wall cabinets are securely mounted using double mounting rails. Use a level to check that the cabinets are straight both horizontally and vertically. Also, ensure that the angles between the cabinet frames and the wall are exactly 90 degrees. Adjust as needed to achieve a stable and accurate installation.

- Mount two mounting rails on the back of the cabinet, use screws 4.5x25. Depending on the length of each rail, use 2-3 screws per rail for secure attachment.
- Mount two mounting rails on the wall. Use wood screws of suitable length depending on the material in the wall (screws not included).

ATTENTION! When the rails are mounted on the wall, it's important to attach them to something that can hold the weight. The best is to screw in the wall bracket.

CORNER CABINET

- Measure the current position of the post using the horizontal framework pieces as a guide. Secure the post with angle brackets, using screws 4x20 with a rounded head (six screws per angle brackets).
- Attach the framework-click using 3.5x15 screw with a lumpy head (1 screw per framework-click). Space the framework-clicks evenly at 30 cm intervals. Use the provided framework-click template to ensure the framework-click is centered accurately.
- Fasten the frame securely to the cabinets.
- Measure and mark the required width of the plywood board. Cut the plywood board to the desired width using a saw.
- Attach the plywood board to the cabinet using screws 4.0x35 (use 5-7 screws). Pre-drilled holes are available.
- Drill holes for the hinge plate, use the provided drill jig to mark the positions for the hinge plate holes. Drill the holes using a 3 mm drill bit for accurate alignment.
- Attach the hinge plates to the cabinet with screws 3,5x17 (2 screws/hinge plate).
- Fasten the hinges to the cabinet door with wood screws 3.5x17 (use two screws per hinge).
- Secure the door to the cabinet by fastening the hinges into place.

UPPER CABINETS

- Assemble the over cabinet according to the same principle as other cabinets (see CABINETS).
- Place 4 domino plugs in the pre-milled holes.
- Mount the mounting rail with wood screws of suitable length depending on the material in the wall (screws are not included)

- Place the upper cabinet's bottom plate on the upper side of the lower cabinet.
- Mount the upper cabinet.
- Fasten the frameworks on the cabinets.

Please note that when installing overhead cabinets above the refrigerator and freezer, it is recommended to mill or drill ventilation holes in the bottom and top panels

PLINTHS – Inside mounted (with sides)

- Assemble the plinth pieces, connect the pieces using 2+2 wooden screws 3.5x50.
- Screw in the framework-click with a 3.5x15 screw with a lumpy head (one screw/framework-click).
- Place the plinths in their designated position.
- secure the frame to the cabinets.

PLINTHS – Inside parallel mounted

- Fasten the fittings for clips for plinth legs with 3x12 (2 screws/fittings).
- Click the plinth into the plinth legs.
- Fasten the frame to the cabinets.

PLINTHS – Front mounted

- Fasten the frame to the cabinets.
- Screw a 5x50 screw into the framework (then assembled with the supplied washer).
- Attach the suspension fittings inside the plinth in the milled groove using wood screws 3.5x17 mm (three screws per fitting).
- Hang the plinth onto the frameworks.

DOORS & DRAWERS

- Fasten the hinges to the cabinet doors with wood screws 3.5x17 (two screws/hinge).
- Attach the doors to the cabinets.
- Secure the drawer fittings to the underside of the drawers by using:
 - Two wooden screws 3.0x10 in the bottom
 - Two wood screws 3.5x17 diagonally in the drawer
 - Two wood screws 3.5x17 rear (note: only mounted on drawer runners from Grass).
- Drill through holes where the mounting screws for the drawer should be positioned. Drill from inside the of the drawer, using a 5 mm drill bit.
- Use the accompanied jig to place the drawer front at the correct height on the drawer.

- Ensure the front overlaps the drawer by 19 mm at the bottom.
- The overlap on the sides should be symmetrical.
- Attach the drawer fronts with mounting screws 4.0x35 (two screws per drawer).
- Tighten the mounting screws securely.
- Place the drawer in the cabinet.

DRAWER RUNNERS

Only one hole is pre-drilled in the cabinet for the system screw. The other two holes are drilled during the installation of the drawer due to potential humidity-induced variations in the cabinet depth (up to 2 mm). Use a 5 mm drill bit for these holes. is used. A horizontal line has been milled into the cabinet to help ensure the drawer is horizontally aligned

For drawers inside doors, mount the runner using the first hole from the edge of the cabinet. For drawers with drawer fronts, use the second hole from the edge for mounting.

For drawers inside doors, mount the runners on distance strips to ensure proper clearance. Place the distance strip on the hinge of the cabinet. If the cabinet has two doors, install distance strips on both slides.

- Temporary mount the drawer runner.
- Draw a line below and in front of the drawer runner for reference.
- Remove the drawer runner.
- Align the distance strip with the drawn lines. Secure the distance strip in place with 3.5x50 mm screws (three screws per strip).
- Fasten the drawer runner on the distance strip.

It is recommended to attach the drawer runners to the cabinet before mounting the cabinets.

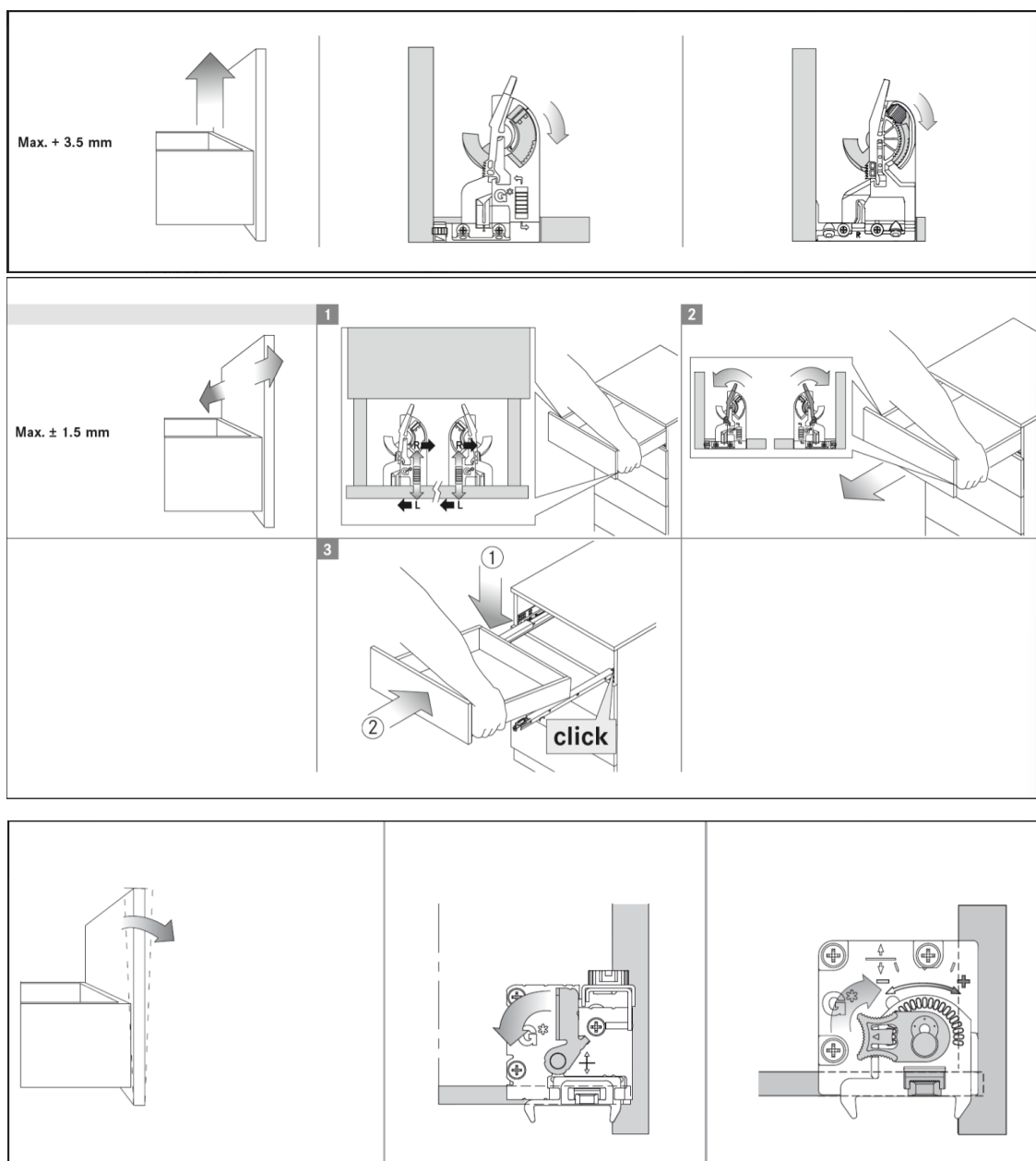
ADJUSTMENT OF DRAWERS

Drawers mounted on Blum runners can be adjusted for height, side alignment and tilt. Follow the link for detailed adjustment instructions:

(https://www.blum.com/se/sv/products/runnersystems/movento/downloads-videos/#mov001-montage_mo_an_fi_bau_SE)

Drawers mounted on Grass runners can also be readjusted.

If the drawers extend a few millimeters from the frame check the metal pin in the drawer runner. It may not be locked into the fitting at the back of the drawer properly. To correct this, reach into the back and guide the metal pin into the recess to ensure it locks correctly. Additionally, verify that the plastic fittings at the back of the drawer are seated correctly and that the right and left fittings have not been accidentally switched.



HINGES

The Heritage series hinges combine the aesthetic appeal of a visible classical hinge with the practicality of a pot hinge, allowing for easy adjustment of the cabinet doors.

The visible classical hinge enhances the traditional look, while the pot hinge facilitates precise positioning and adjustment. These combined hinges offer both form and function, providing a visually appealing and highly adjustable solution.

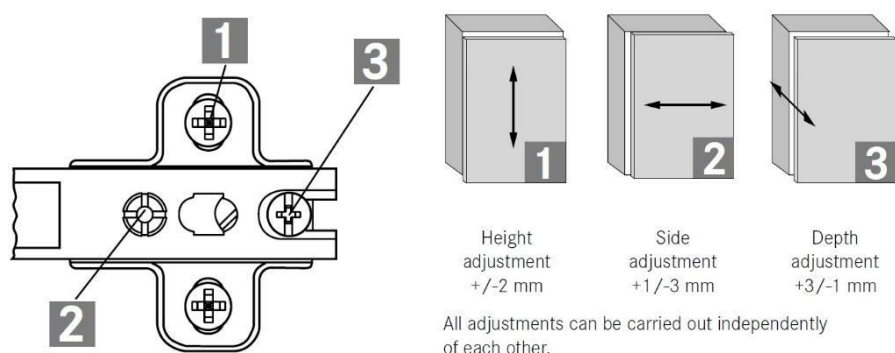
Cabinet doors taller than 100 cm include a third, centered hinge.
Installation Instructions for the Third Hinge:

- Initially, fit the door with only the top and bottom hinges.

- Adjust the door to ensure it is properly aligned.
- Use the centre hinge as a jig to mark the placement of the screws for the third hinge.
- Once marked, install the centre hinge.

NOTE! Special Consideration for Center Hinge and Shelves: If the cantered hinge interferes with a shelf due to its mid-stem position, you may need to modify the hinge. In such cases, trim the centre hinge down and use it purely as a decorative feature, without functional attachment.

A MDF hinge jig is included with every kitchen.



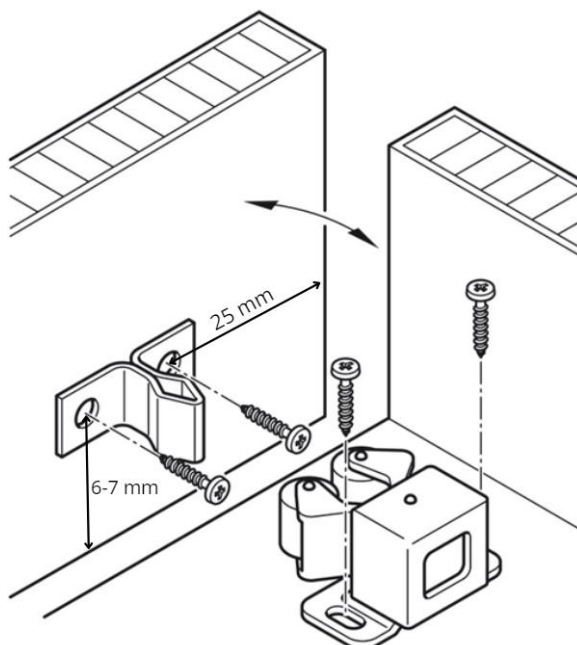
DOOR STOPPERS (ROLLER CATCHES)

Roller catches are designed to help align cabinet doors, preventing them from hitting the shelves and providing a slight cushioning effect when closing. They should be mounted at both the top and bottom of the cabinet doors.

It's recommended to start by installing the door stoppers in a cabinet with double doors. This setup makes it easier to find the correct positioning and measurements.

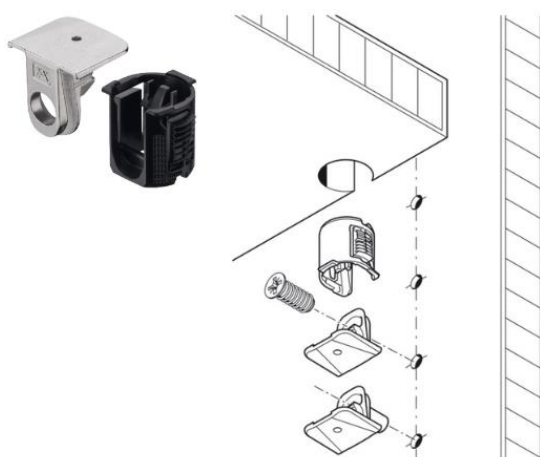
- Start by mounting the metal clip that attaches to the door.
 - Lateral positioning: The metal clip should be placed 25mm from the edge of the door.
 - Vertical positioning: The holes for the metal clip should be positioned 6-7 mm up from the bottom edge of the door. (Tip: pre-drill the holes carefully to avoid drilling through the entire door). Securing the clip, use 3,0x12 screws with a rounded head to attach the metal clip to the door.
- Once the metal clip is securely mounted, press the roller catch onto in.
- Close the door and gently mark with a pencil where the holes for the roller catch should be. This step ensures that the roller catch aligns perfectly with the metal clip on the door.
- Pre-drill the marked holes on the frame.

- Screw the roller catch into the frame, ensuring it aligns with the metal clip on the door for smooth operation.



SHELF SUPPORT

The installation of the shelf supports involves two components: a black cylinder and a metal part. Insert the black cylinder into the pre-drilled hole on the shelf board. Then attach the metal part to the cabinet frame using the pre-drilled holes and secure it with a 6.3x11 screw.



ASSAMBLY OF BUTCHER BLOCK

The frame for the butcher block is assembled using the same principle as "FRAMES."

- Assemble the side panels with the bottom plate. Use 4.0x35 wood screws (4 screws).
- Attach two (or four if space allows) plinth legs with 4.0x40 wood screws. Note: Avoid screwing near the routing for the butcher block. For an inside plinth whit sides, position the legs 90 mm from the front edge (measured without the font).
- Attach the back panel, ensuring that the back panel is pressed all the way down into the groove in the bottom plate.
- Slide the shelf into the pre-routed groove in the frame. Attach the shelf from the outside of the frame using 4.0x35 mm wood screws (4 screws/shelf).
- Attach the crossbars at the back and front. Use 4.0x35 wood screws (4 screws/crossbar).
- Fasten the framework-click brackets using 3.5x15 screws with round heads (1 screw/framework-click), spaced 30 cm apart. Use the framework-click template provided to easily centre the framework-clicks.
- Mount the wall rail to the wall. Use wood screws of appropriate length depending on the wall material (screws not included).
- Attach the mounting rail to the back of the frame with 4.5x25 wood screws (2 screws).
- Finally, attach the front to the frame.

WHITE GOODS

For the cabinet of the fridge and freezer, a screw list of 38x20 mm is included. Mount the list on the hinge side, both at the front and rear edges (pre-drilled holes are provided). Use screws 4.0x35 mm (3 screws per list).

When using the door-on-door system, it is important to ensure the correct placement of the fridge and freezer within the frame. Position the appliance so that it is close to the side where the handle is located, not on the hinge side. Then, attach the door to the appliance according to the appliance supplier's instructions to ensure a stable and functional installation.

Cabinets for oven and hob have no back or wall rail and do not need to be fixed to the wall. These cabinets are connected with connection bolts.

DISHWASHER FRONT

- Mount the screw strip on adjacent cabinet (utilize surplus material from the packaging to create a screw strip), use screws 4.0x35 mm (2 screws).
- Screw the framework-click onto the screw strip with a 3.5x15 screw with a rounded head (one screw per framework-click).
- Install the frame piece.
- Measure and mount the screw strip on the wall and floor, use screw of appropriate length and type depending on the wall/floor material (screws are not included).

- Attach the framework-click with a 3.5x15 screw with a lumpy head (one screw per framework-click) at 30 cm intervals. Attach the framework piece.
- Mount the side piece, using screws 4.0x35 (6 screws).
- Mount the dishwasher in the cabinet following the to the supplier's instructions.
- Fit and glue domino plugs into the pre-milled holes on the upper and lower horizontal frame pieces (two plugs per frame) and fit the frame to the dishwasher front with a 2 mm gap.
- Attach the dishwasher front on the dishwasher according to the supplier's installation guidelines.

DISHWASHER FRONT – For smaller doors

- Position 2 angle brackets on the inside of the lower part of the frame, use screws 3.5x17 (4 screws per angle bracket).
- Apply glue to domino plugs and insert them in the pre-milled holes on the horizontal frame piece (2 plugs per framework). Mount the framework piece on the top edge of the dishwasher front, maintaining a 2 mm gap as instructed.
- Follow the dishwasher supplier's instructions to mount the dishwasher front onto the dishwasher itself.

COVER PANELS

Cover panels are installed onto cabinets by screwing from the inside of the cabinet. There are at least four pre-drilled holes for this. Use screw 4.0x35 mm for this purpose.

COVER PANELS – with 20 mm frameworks

- Securely attach the 20 mm frame to the cabinet structure.
- Screw the cover panels from the inside of the cabinet. Use screws 4.0x35 mm for this purpose.

Decide whether to leave the groove visible on the front side of the cabinet between the framework and the cover panel. Alternatively, fill, sand, and paint the groove to achieve a seamless appearance.

COVER PANELS – with excess measurement

- Measure the cover panels to the desired width. Use a saw to cut the cover panels according to the measurement.

- Securely fasten the cover panel to the cabinet by screwing from the inside, use screws 4.0x35 mm for this purpose.
- Fill the groove between the cover panel and the framework. **Use a suitable filler material** for wood or cabinet construction. Follow the manufacturer's instructions for application and drying times.
- Use sandpaper to smooth the filled areas until they are flush with the surface.
- Remove any sanding dust with a clean cloth or brush.
- Paint the cover panel with the desired color or finish.

FRAMEWORK AGAINST WALL

A framework against the wall is placed to ensure a contiguous fit and to allow enough space for opening doors and drawers. It's especially useful if your walls aren't perfectly straight. Sometimes the framework pieces intended to meet a wall are sent with excess measurements to be cut into place during assembly (this after agreement with the customer).

- Securely fasten the framework piece to the cabinet.
- Place the cabinet against the wall.
- Measure and mark the desired width from the wall to the lower part of the frame piece, ensuring consistency.
- Repeat the measurement and marking for the upper part of the framework piece, ensuring consistency.
- Draw a straight line between the markings. Use a saw to carefully cut along the marked line, adjusting the framework piece to fit perfectly against the wall.

SHELL INSTALLATION

- Attach three framework-clicks/brackets to the underside of the shelf. The pre-drilled holes indicate where they should be placed. Use 3.5x15 screws with round heads (1 screw per framework -click).
- Mount the shelf onto the brackets.
- Secure the brackets to the shelf from the back through the pre-drilled holes, using 4.0x45 wood screws.

INSTALLATION OF GLASS ON CABINETS DOOR

Acquire suitable nails for fastening the molding pieces to the cabinet door, as they are not included with delivery.

- Pre-drill holes in the molding pieces intended for the glass panels. Use a drill bit size between 1.5-2mm or one appropriate for the nails you have chosen.
- Carefully position the glass panel within the door frame.
- Nail the moldings pieces onto the cabinet door frame to secure the glass panel in place (nails are not included).

CROWN MOULDING

Follow these steps to install crown molding based on its fit against the ceiling:

Tightly Fitting Crown Moulding:

- Use brads or a nail gun to secure the molding directly to the ceiling.
- Ensure the brads or nails are driven securely to hold the molding in place.

Crown Moulding Not Fitting Tightly:

- Secure the molding to the frame from the inside using screws (not included).
- Pre-drill holes into both the frame and the molding to prevent cracking and facilitate easier installation.

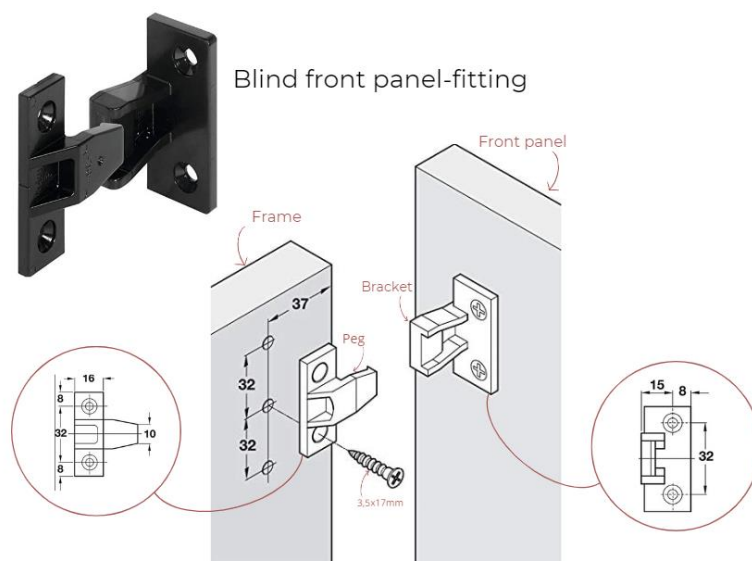
INSTALLATION OF COUNTERTOP

- Ensure the cabinets are level using a spirit level, Adjust if necessary.
- Place the countertop on the cabinets and ensure that it fits properly.
- There will be a 20 mm gap between the crossbars and the countertop. To fill the gap and create a solid base, use packing material. This ensures a stable fit.
- Attach the countertop by screwing it from inside the cabinet up through the front and back crossbars and the packing material. Choose screws of appropriate length that won't penetrate the top surface of the countertop.

INSTALLATION BLIND FRONT PANEL

To install the blind front panel, use the supplied fittings, 2 fittings per front panel. It is recommended to install the front panel before the countertop is placed, to make the installation easier.

- Start by mounting the fitting's peg into the cabinet frame using 3.5x17 mm wood screws. Pre-drilled holes for the peg are already in place in the frame.
- Once the peg is mounted in the cabinet frame, attach the bracket onto the peg
- Position the front panel where it should be installed and mark with a pencil where the holes for the bracket should be.
- Pre-drill the holes (make sure not to drill through the front) and fasten the bracket to the front panel using 3.5x17 mm screws.
- Push the front panel into place on the cabinet frame.



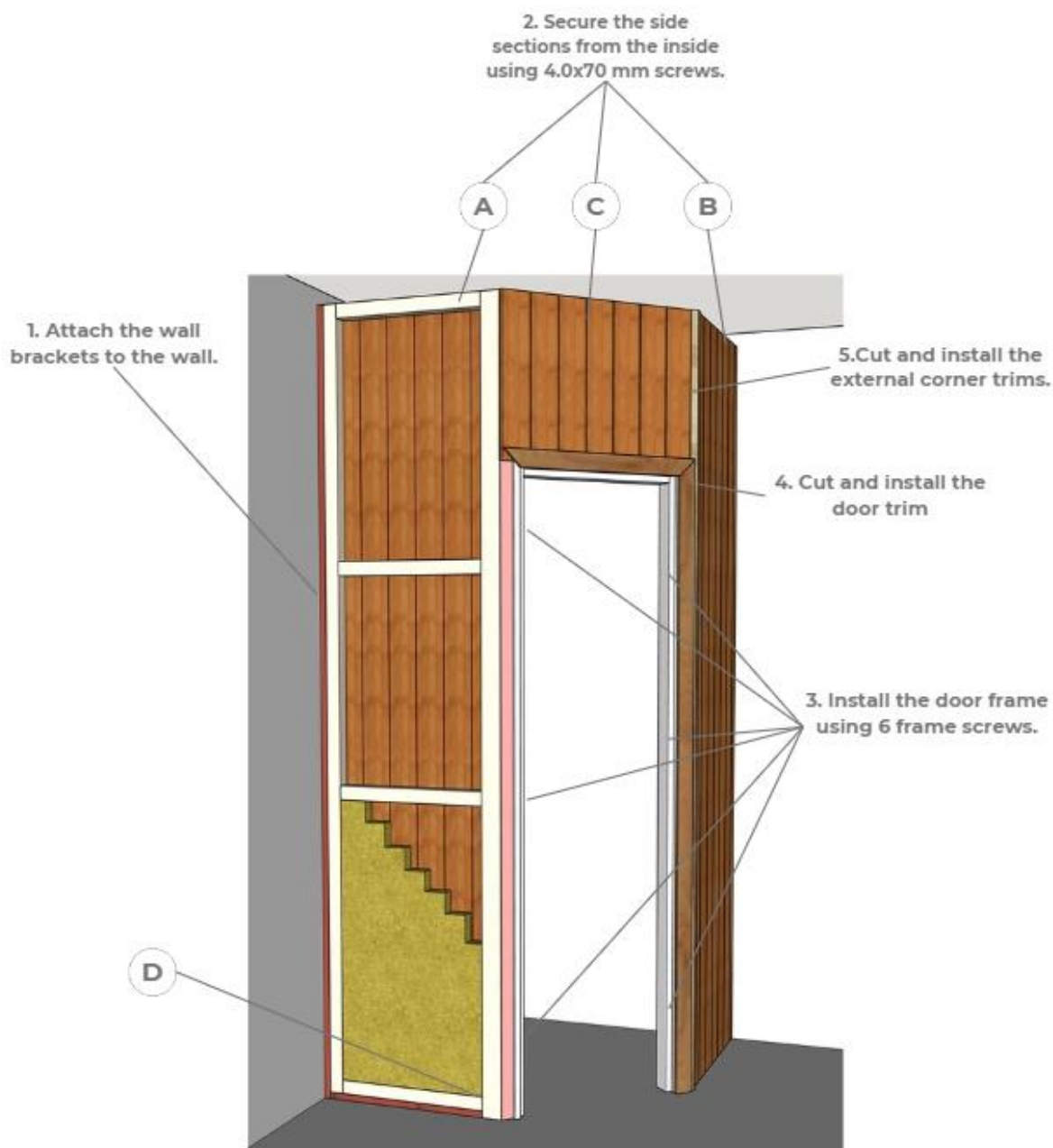
INSTALLATION OF CORNER PANTRY

For a safe and smooth installation, always ensure that two people are working together.

Note: Since wall materials vary, our corner pantries are delivered without screws for the wall brackets. Please visit a hardware store or a building supply store to get assistance in selecting the correct screws for your specific wall material.

The corner pantry is delivered in three sections. Follow these steps for assembly:

- Attach the wall brackets to the wall using screws of appropriate length, depending on the wall material (screws not included).
- Secure the side sections (A and B) to the wall brackets by screwing from the inside. Use 5.0x70 mm wood screws.
- We recommend screwing diagonally through the pantry's brackets (D) to the floor and ceiling for extra stability (screws not included).
- Install the middle section (C) between the side sections (A and B) and secure from the inside using 5.0x70 mm wood screws.
- Drill holes in the door frame for the frame screws and install the frame using the 6 included frame screws. Use a spirit level to ensure the frame is straight.
- Attach the hinges to the door using 3.5x17 mm wood screws (2 screws per hinge). The hinge plates are pre-installed on the frame. Then, mount the door in place.
- Install the door trim (delivered in linear meters). Miter cut the trim and fasten it with finishing nails or a nail gun.
- Attach the external corner trims (delivered in linear meters). Cut the trims to the desired height and secure them with finishing nails or a nail gun.



PAINING A SNÊK KITCHEN

Painting your Snêk kitchen can be both fun and satisfying, but keep in mind that you need plenty of space to make the painting process go smoothly. Be sure to protect the surfaces you don't want to get paint on.

We recommend choosing a paint with at least a semi-gloss finish, as it makes the surface more resistant to grease and dirt, and easier to clean. Matte surfaces in the kitchen tend to show and hold onto grease stains more easily.

We suggest painting both the inside and outside of the doors and drawer fronts. It's best to paint all visible parts before assembly. If you are painting the cabinets, any knots in the wood should be treated twice with shellac/knotting solution for the best results.

The painting process may vary depending on whether you choose water-based paint or linseed oil paint. **We recommend contacting your paint supplier for specific advice and recommendations regarding the paint you are using.**

Painting Process

1. Priming

- Start by applying a primer and allow the paint to dry completely.
- Lightly sand all surfaces with fine sandpaper, being careful not to create unnecessary scratches in the primer. Wipe the surfaces clean with a microfiber cloth or a damp rag to remove all dust.

2. First Coat

- Apply a coat of topcoat paint and let it dry thoroughly.

3. Final Coat

- Apply a final coat of topcoat paint and make sure to let it dry properly. The drying process may take several days before the paint is fully cured. Afterward, the fronts panels can be mounted onto the cabinets.

Please note that any technical advice we provide, whether in this description or otherwise, orally or in writing, is given in good faith and with the best of intentions. However, we cannot offer any guarantees, as the painting technique and choice of paint are beyond our control.

TAKE CARE OF YOUR NEW KITCHEN

Congratulations on your new Snêk kitchen!

With a little care and maintenance your new kitchen will retain its appearance for years to come. Please read our care instructions on how to best take care of your new kitchen.

You will find our care instructions on our website.